

VISION³ LIGHTING

LED Down Light **MODEL DL4** 100-277V 20W Max. LED w/ Integral Driver

Specifications

Mount Canopy

Available with the following mount options: MO3 (Machined Round Canopy), MO15 (Machined Square Canopy), and MO12 (Surface Mount Canopy). MO3 & MO15 mount options come mounted to a steel universal mounting ring for ease of mounting and adjustment on an industry standard round junction box. See mount specification sheets for more information. (Mount canopy must be mounted to an appropriate ceiling or junction box, in such a manner that is capable of holding the weight of the fixture. Junction box and hardware not included).

Body

Machined 6061-T6 aluminum or C36000 brass body and stem (if specified) are permanently attached to canopy using a 304 stainless steel threaded nipple.

Cap

Machined cap locks in place with one 18-8 stainless steel set screw, and is sealed to the body with a high temperature silicone O-ring. Square caps feature removable and field interchangeable cutoffs.

Finish

TGIC thermo set polyester powder coat paint available in 14 standard colors. On aluminum model, finish is applied over a corrosion resistant, hexavalent chromium free, RoHS compliant coating. Aluminum model available in one additional metal finish: Clear Anodized. Brass model available in three additional metal finishes: Natural, Polished, and Aged.

Lens

Tempered, clear lens, secured to cap with a high temperature, UV curing, silicone adhesive.

LED

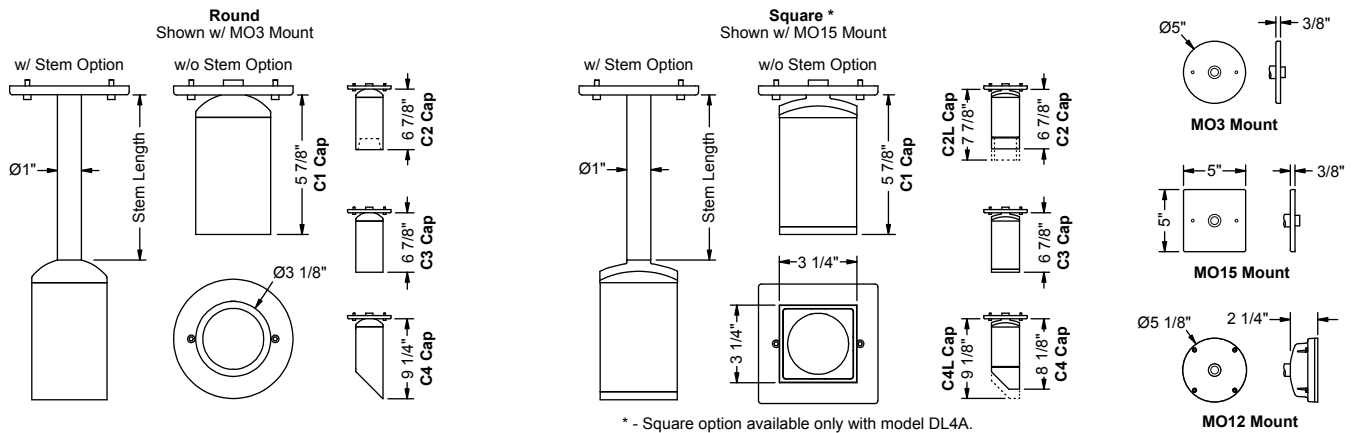
100 to 277 VAC (50/60 Hz) input, 20W max. power (17W@120V, 20W@277V). LED lamp features: integral driver, up to 1280 lumen output, up to 75 lm/W efficacy, four different beam patterns (15°, 23°, 35° & 51°), field changeable optics, push button selection of 4 light levels (100%, 80%, 55% & 18%), 120-277V universal 0-10V dimming available at three highest (100%, 80%, 55%) light level settings, 120V phase dimming at highest (100%) light level setting (see Dimmer

Compatibility List), an L70 of 60,000 hrs., and patented LEDSense[®] thermal management to ensure reliability and lumen maintenance. Note: thermal management system may cause power input and light output to vary slightly depending on fixture material, orientation, lens accessories, mounting, and ambient temperature.

Certification

CSA tested & certified to US and Canadian safety standards (UL1598) for wet location ceiling use.

All ratings subject to change without notice. See web site or contact V3 for most current info.



* - Square option available only with model DL4A.



Ordering Information

Model	Shape	Stem	Mount ²	Lens Accy	Filter	Louver
DL4A - Aluminum DL4B - Brass ¹	RND - Round SQ - Square ¹	0 - No Stem 3 - 3" Stem 6 - 6" Stem 12 - 12" Stem 18 - 18" Stem 24 - 24" Stem 30 - 30" Stem 36 - 36" Stem 42 - 42" Stem 48 - 48" Stem	MO3 - Round Canopy MO15 - Square Canopy MO12 - Surface Mount Canopy	0 - None L1 - Spread L2 - Linear L3 - Softening	0 - None F1 - Red F2 - Blue F3 - Lt. Blue F4 - Green F5 - Amber F6 - Pink	0 - None H1 - Hex
Finish	Cap Style	Lamp ³				
Powder Coat Finishes: BLT - Textured Black BL - Black BNT - Textured Bronze BN - Bronze BAT - Textured Bark WI - White GRT - Textured Green SI - Silver GNT - Textured Granite GY - Grey SAT - Textured Sand BE - Beige PAT - Textured Patina EAT - Textured Earth Metal Finishes: CLA - Clear Anodized (DL4A only) NAT - Natural (DL4B only) POL - Polished (DL4B only) AGE - Aged (DL4B only)	C1 - Flush C2 - Regress Lens C2L - Regress Lens, Long (SQ only) C3 - Regress Lamp C4 - 45° Angled C4L - 45° Angled, Long (SQ only)	100-277V, 20W Max. LED: 137 - 15°, 3000K, >80 CRI 138 - 23°, 3000K, >80 CRI 139 - 35°, 3000K, >80 CRI 140 - 51°, 3000K, >80 CRI				

Notes:

- SQ shape available with model DL4A only.
- See MO3, MO12, or MO15 specification sheet for mount details.
- LED lamp options available in other color temperatures and / or CRI's (contact V3 for info).
- Specifications, certifications, and ordering information are subject to change. Please check website for latest specification sheets.

Example: **DL4A - CLA - SQ - C3 - 12 - MO15 - 139 - 0 - F2 - H1**